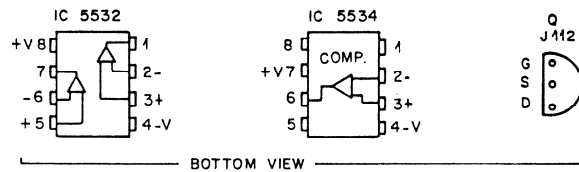
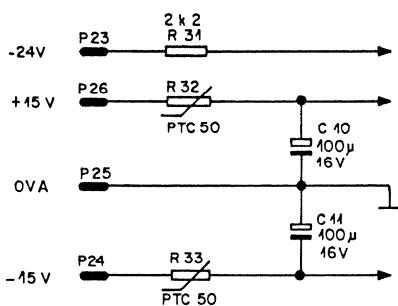
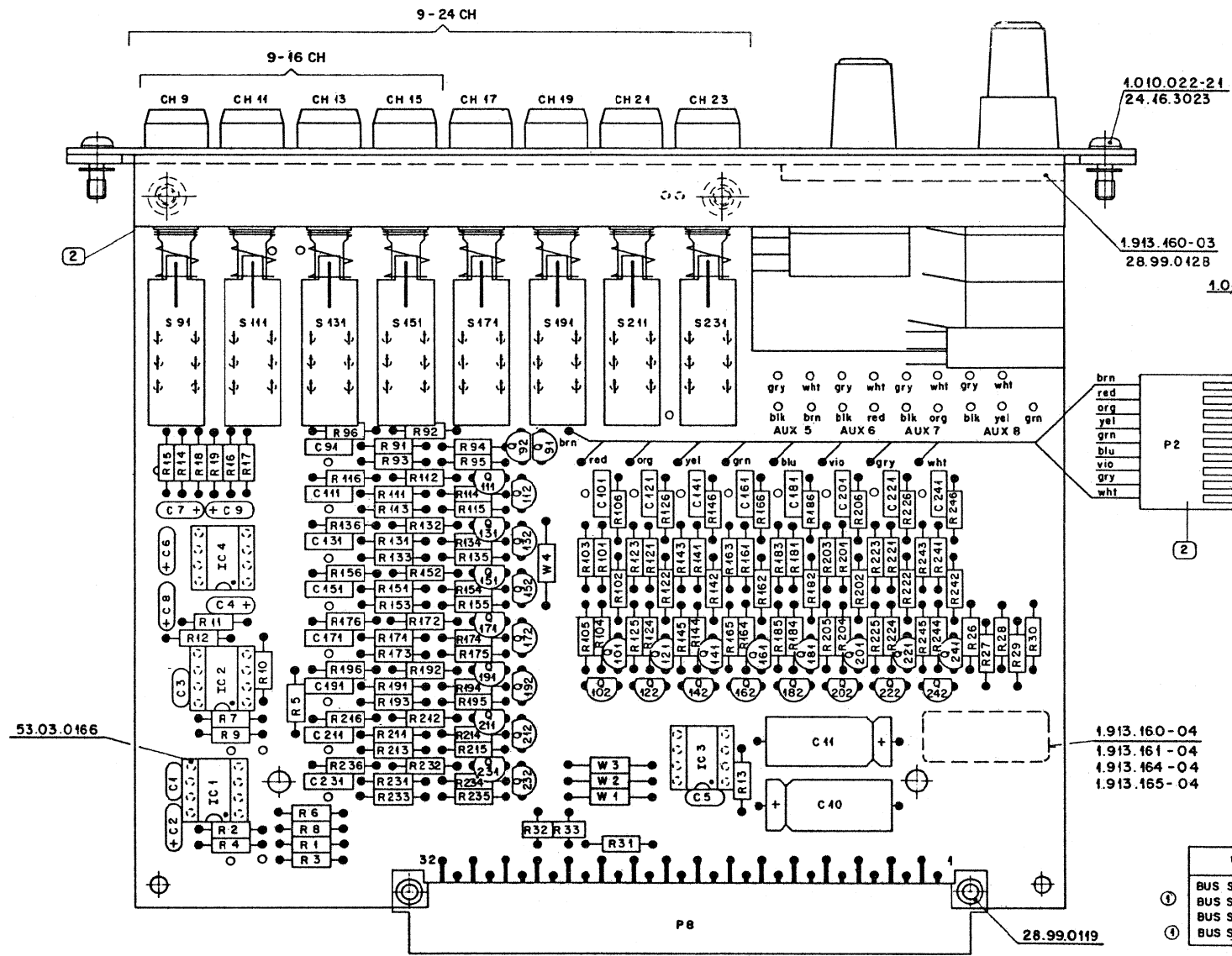


- P8
- 1
 - 2
 - 3
 - 4
 - 5
 - 6
 - 7
 - 8
 - 9
 - 10
 - 11
 - 12
 - 13
 - 14
 - 15
 - 16
 - 17
 - 18
 - 19
 - 20
 - 21
 - 22
 - 23
 - 24
 - 25
 - 26
 - 27
 - 28
 - 29
 - 30
 - 31
 - 32



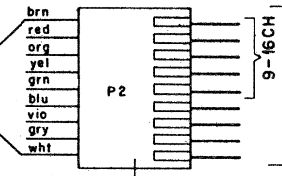
| | | | | | |
|--------------------------------|--------------|-----------|-----------|--------------|--|
| DATE: | 26.3.84 | 18.7.84 | 4.10.84 | | |
| SIGN: | <i>ml</i> | <i>ml</i> | <i>ml</i> | | |
| STUDER REGENSDORF ZURICH | BUS SELECTOR | | 9-16 CH | SC 1.913.161 | |
| | | | 9-24 CH | SC 1.913.165 | |



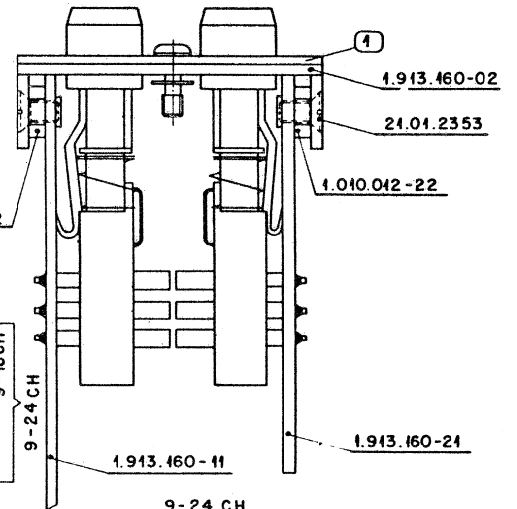
1.010.022-21
24.46.3023

1.913.460-03
28.99.042B

1.010.012-22

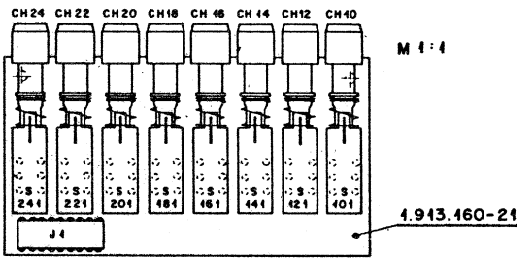


2



9-24 CH

9-16 CH

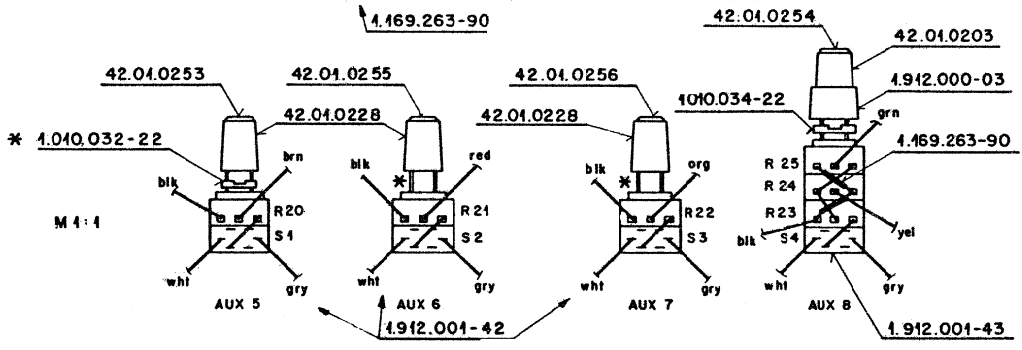


M 1:1

| VALID FOR | NR. UNIT | NR. PL | ① | ② |
|------------------------|--------------|-----------|--------------|--------------|
| BUS SEL. 9-16 CH + AUX | 1.913.460-00 | 1.913.460 | 1.913.160-04 | 1.913.160-93 |
| BUS SEL. 9-16 CH | 1.913.461-00 | 1.913.461 | 1.913.165-02 | 1.913.161-93 |
| BUS SEL. 9-24 CH + AUX | 1.913.464-00 | 1.913.460 | 1.913.164-04 | 1.913.164-93 |
| BUS SEL. 9-24 CH | 1.913.465-00 | 1.913.461 | 1.913.165-01 | 1.913.165-93 |

①

②



M 1:1

| | | | | | | |
|--------------------------------|------------|------------------------------------|----------|------------|-----------------------|--------------|
| Werkstoff: | Norm-Nr.: | Güte: | | Änderung: | 22.10.85 A.Ho | ③ |
| | DIN-Bes.: | Oberfläche: | | | 14.84 A.Ho | ② |
| | Abmessung: | Beh.: | | | 3.2.83 A.Ho | ① |
| Zugehörige Unterlagen: | | Freimasstoleranz: | Maßstab: | Ausgabe: | 5.1.83 A.Ho | ④ |
| | | ± | 1:1; 2:1 | Datum: | Gez. Gepr. Ges. Index | |
| Ersatz für: | | Ersetzt durch: | | Kopie für: | | |
| STUDER REGENSDORF ZÜRICH | | Benennung: Bus Selector 9-16 CH | | Nummer: | | 1.913.160-00 |

| IND | POS NO | PART NO | VALUE | SPECIFICATIONS/EQUIVALENT | MFR |
|-------|------------|---------|--------|---------------------------|-------|
| C 1 | 59.34.2220 | | 22 pF | | CER |
| C 2 | 59.26.0680 | | 68 pF | 6V | SAL |
| C 3 | 59.34.2220 | | 22 pF | | CER |
| C 4 | 59.26.0680 | | 68 pF | 6V | SAL |
| 2 C 5 | 59.34.4701 | | 100 pF | | CER |
| C 10 | 59.25.3101 | | 100 pF | 16V | EL |
| C 11 | 59.25.3101 | | 100 pF | 16V | EL |
| IC 1 | 50.05.0244 | M5534AN | | Low noise | Si,Ge |
| IC 2 | 50.05.0244 | M5534AN | | Low noise | Si,Ge |
| IC 3 | 50.05.0244 | M5534AN | | Low noise | Si,Ge |
| R 4 | 57.11.3222 | | 2k2 | 1% | |
| R 2 | 57.11.3222 | | 2k2 | 1% | |
| R 3 | 57.11.3222 | | 2k2 | 1% | |
| R 4 | 57.11.3222 | | 2k2 | 1% | |
| R 5 | 57.11.4104 | | 100 k | | |
| R 6 | 57.11.3222 | | 2k2 | 1% | |
| R 7 | 57.11.3222 | | 2k2 | 1% | |
| R 8 | 57.11.3222 | | 2k2 | 1% | |
| R 9 | 57.11.3222 | | 2k2 | 1% | |
| R 10 | 57.11.4104 | | 100 k | | |
| R 11 | 57.11.4471 | | 470 | 2% | |
| R 12 | 57.11.4471 | | 470 | 2% | |
| R 13 | 57.11.4471 | | 470 | | |

| IND | DATE | NAME | | |
|--------|---------|------|-----------------------|-----------------------------|
| ④ | | | CER - CERAMIC | Si - SIGNETICS |
| ③ | | | SAL - SOLID ALUMINIUM | FE - TEXCO |
| ② | 9.10.84 | H | EL - ELECTROLYTIC | R - RAYTHEON |
| ① | 10.7.84 | V | | |
| ○ | 19.3.84 | Vrip | 9-24 CH | 1.913.165.00 |
| STUDER | | | BUS SELECTOR 9-16 CH | PL 1.913.161.00 PAGE 1 OF 3 |

| IND | POS NO | PART NO | VALUE | SPECIFICATIONS/EQUIVALENT | MFR |
|--------|------------|---------|--------|---------------------------|---------|
| R..1 | 57.11.3332 | | 3k3 | 1% | |
| ④ R..2 | 57.11.4104 | | 100kΩ | | |
| R..9 | 57.11.4105 | | 1MΩ | | |
| R..4 | 57.11.4104 | | 100kΩ | | |
| ④ R..5 | 57.11.4104 | | 100kΩ | | |
| R..6 | 57.11.3332 | | 3k3 | | |
| S..1 | 55.05.0002 | | 2JU | SWITCH | Schodau |
| | 65.03.0303 | | GREY | KNOB RED W/DIC | Schodau |
| | 47.01.0272 | | GREY | KNOB 10/4 | |
| | 47.01.0253 | | RED | COVER | |
| | 47.01.0254 | | BLUE | COVER | |
| | 47.01.0255 | | YELLOW | COVER | |
| | 47.01.0256 | | GREEN | COVER | |
| P | 54.01.0359 | | 32 P | 2x16 EURO PRINT | |
| | 53.03.0166 | | | VIC DIL 8P | |

| IND | DATE | NAME | | |
|--------|---------|------|----------------------|-----------------------------|
| ④ | | | | |
| ③ | | | | |
| ② | 4.10.84 | H | | |
| ① | 10.7.84 | H | | |
| ○ | 19.3.84 | Vrip | 9-24 CH | 1.913.165.00 |
| STUDER | | | BUS SELECTOR 9-16 CH | PL 1.913.161.00 PAGE 3 OF 3 |

| IND | POS NO | PART NO | VALUE | SPECIFICATIONS/EQUIVALENT | MFR | | | | | | | | | | | |
|---------------------|------------|---------|----------|---------------------------|----------------|----|----|----|--------|----|----|----|--------|----|----|----|
| R 31 | 57.11.3222 | | 2k2 | | | | | | | | | | | | | |
| R 32 | 57.99.0206 | | 50 | PFC | | | | | | | | | | | | |
| R 33 | 57.99.0206 | | 50 | PFC | | | | | | | | | | | | |
| BUS SELECTOR | | | | | | | | | | | | | | | | |
| CHANNEL ELEMENT No. | 9 | 11 | 13 | 15 | 17 | 19 | 21 | 23 | 10 | 12 | 14 | 16 | 18 | 20 | 22 | 24 |
| | 9 | 11 | 13 | 15 | 17 | 19 | 21 | 23 | 10 | 12 | 14 | 16 | 18 | 20 | 22 | 24 |
| | P-24CH | | | | P-24CH | | | | P-24CH | | | | P-24CH | | | |
| C..1 | 59.06.0223 | | 0,022 pF | | | | | | | | | | | | | |
| R..1 | 50.02.0350 | | 1M2 | JM2F-18/JM2A | MPF 4392 J-FET | | | | | | | | | | | |
| R..2 | 50.03.0350 | | 1M2 | JM2F-18/JM2A | HPF 4392 J-FET | | | | | | | | | | | |

| IND | DATE | NAME | | |
|--------|---------|------|----------------------|-----------------------------|
| ④ | | | | |
| ③ | | | | |
| ② | 4.10.84 | H | | |
| ① | 10.7.84 | H | | |
| ○ | 19.3.84 | Vrip | 9-24 CH | 1.913.165.00 |
| STUDER | | | BUS SELECTOR 9-16 CH | PL 1.913.161.00 PAGE 2 OF 3 |